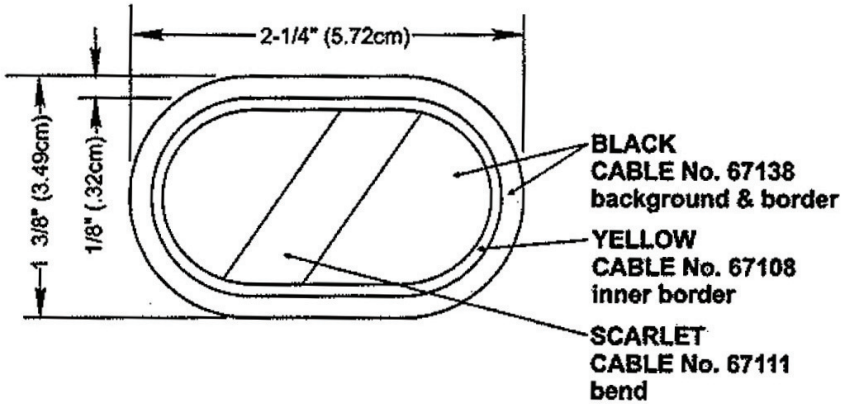


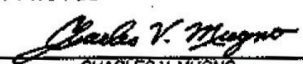
REVISIONS			
LTR	DESCRIPTION	DATE	APPROVED



DESIGNED FOR OVEREDGE STITCHING

UNLESS OTHERWISE SPECIFIED DIMENSIONS ARE IN INCHES TOLERANCES ON FRACTIONS DECIMALS ANGLES

MATERIALS:
TO BE MANUFACTURED IN ACCORDANCE WITH MIL-DTL-14852

EXAMINED	TLC	
CHECKED	pm	SAO
PREPARED	CLN	
APPROVED	 CHARLES V. MUGNO DIRECTOR	

THE INSTITUTE OF HERALDRY, DEPARTMENT OF THE ARMY
 9325 GUNSTON RD, RM S-113 FORT BELVOIR, VA 22060-5579

BACKGROUND TRIMMING FOR

28TH ORDNANCE COMPANY

SIZE	CONTROL IDENT. NO	
A	22571	A-6-299
SCALE	FULL	DATE
		12 OCTOBER 2011